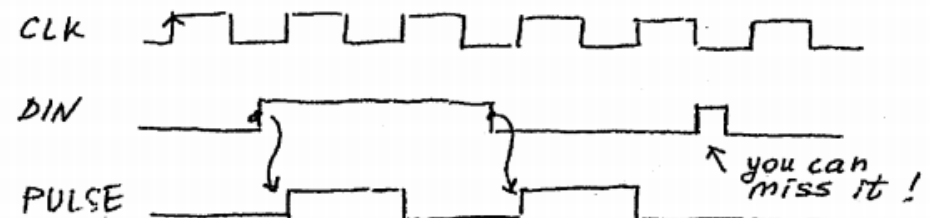


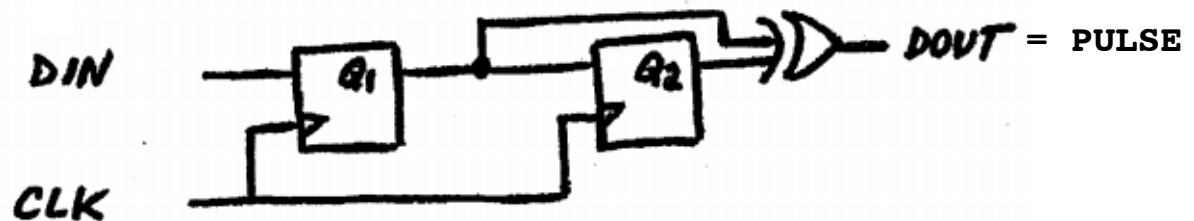
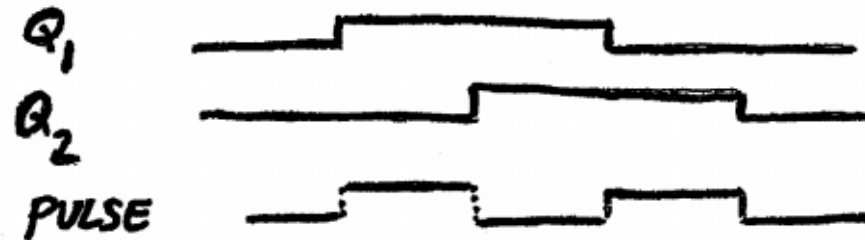
Design Example: Edge Detector

Edge Detector

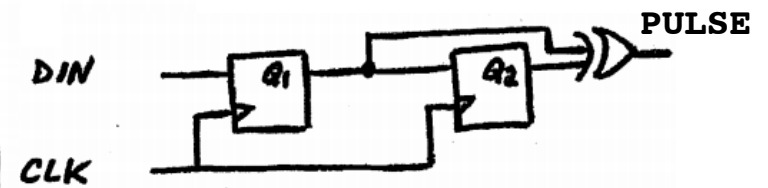
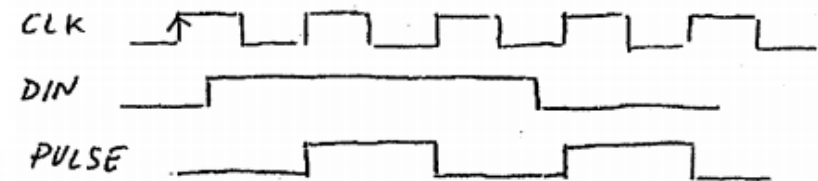
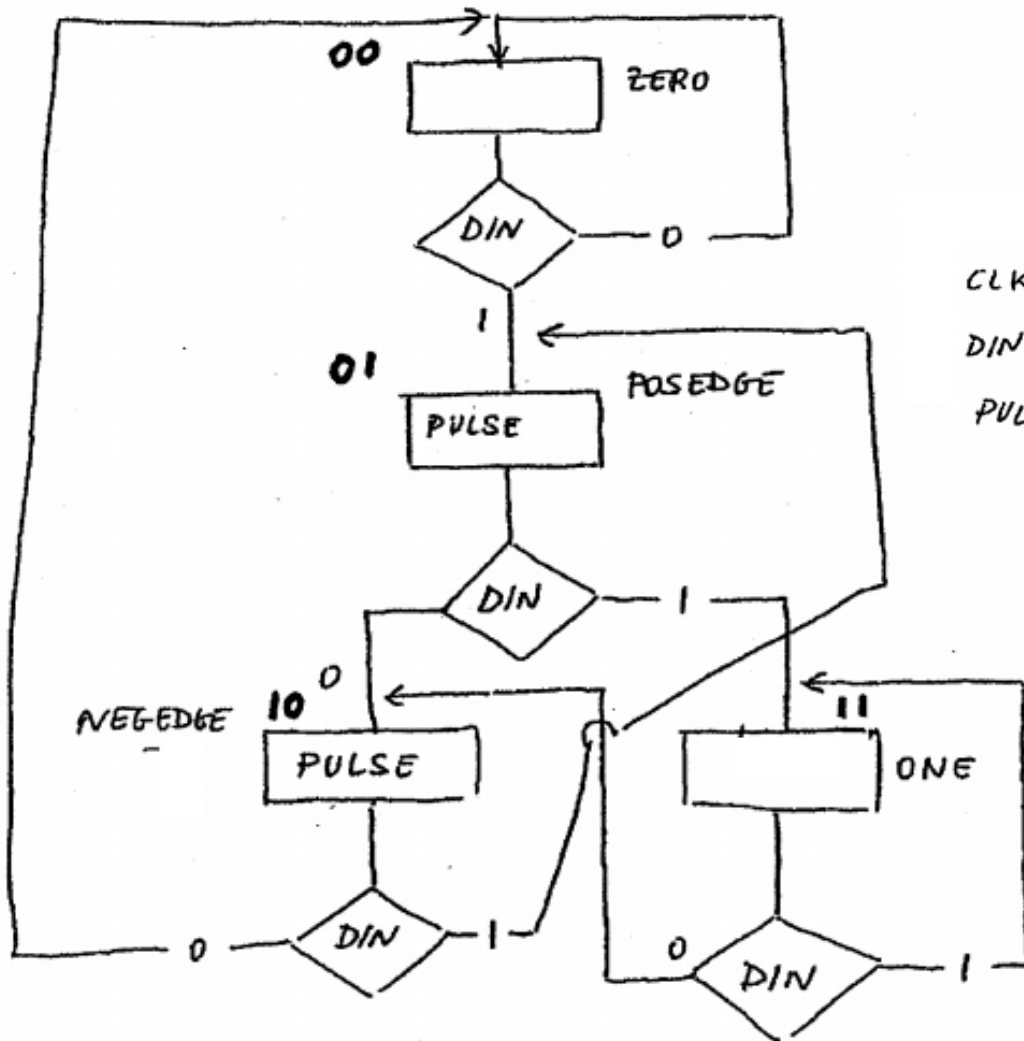
- Design a state machine to implement an edge detector



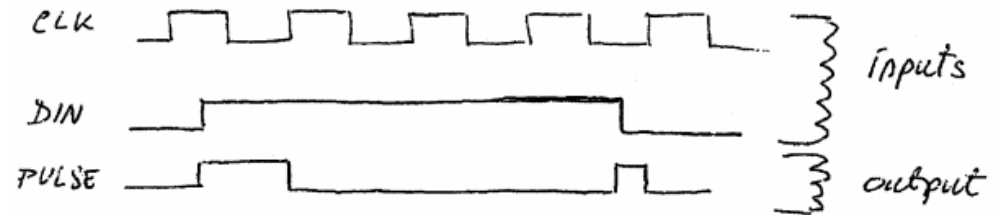
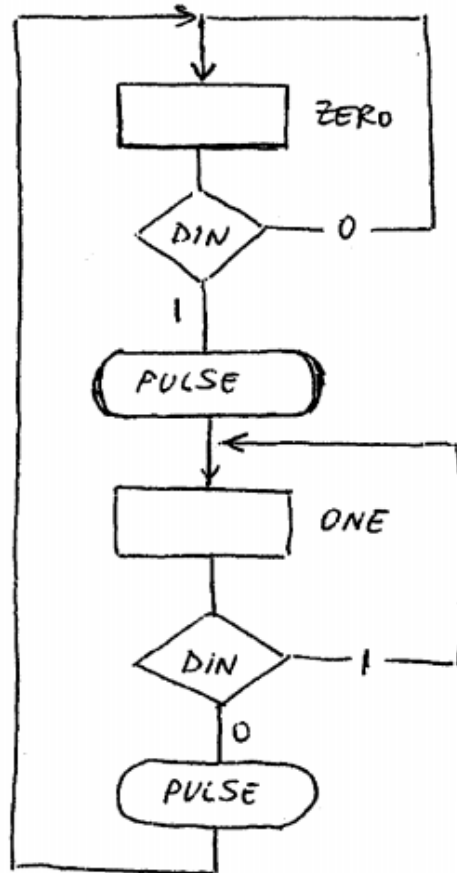
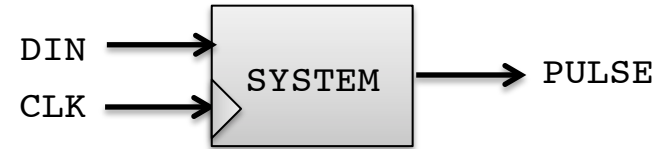
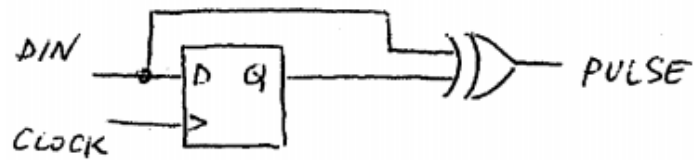
Intuitive
solution:



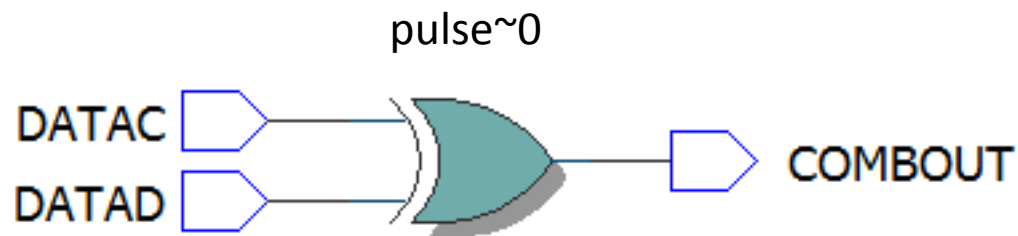
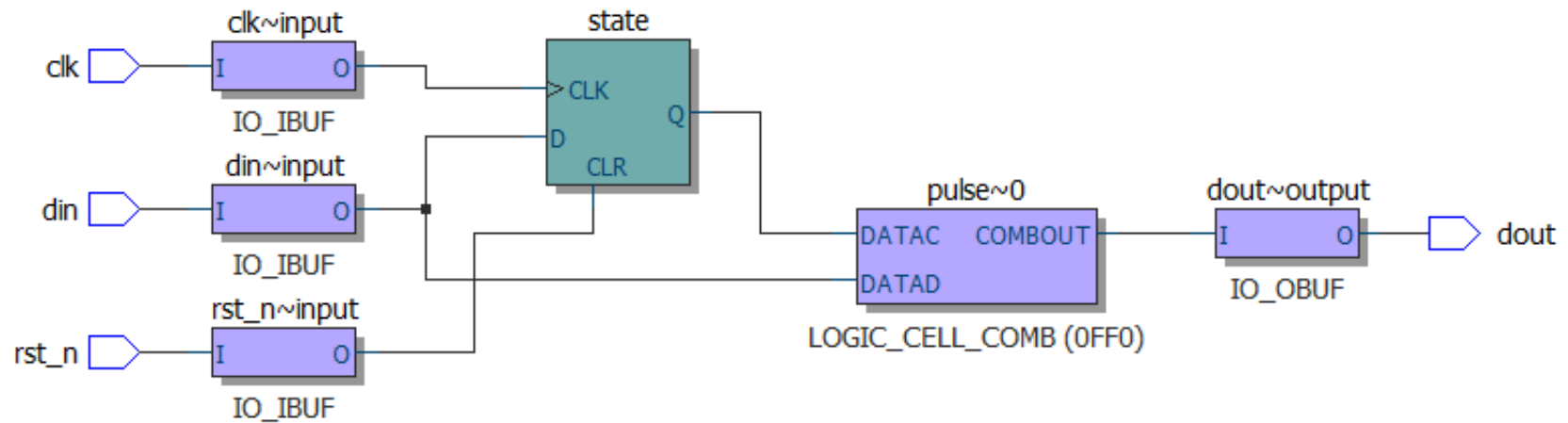
Moore style ASM



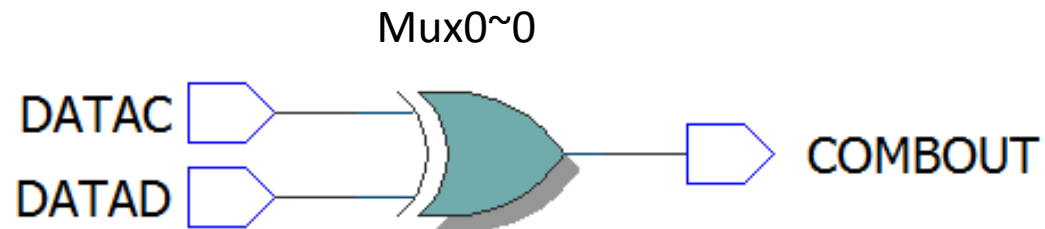
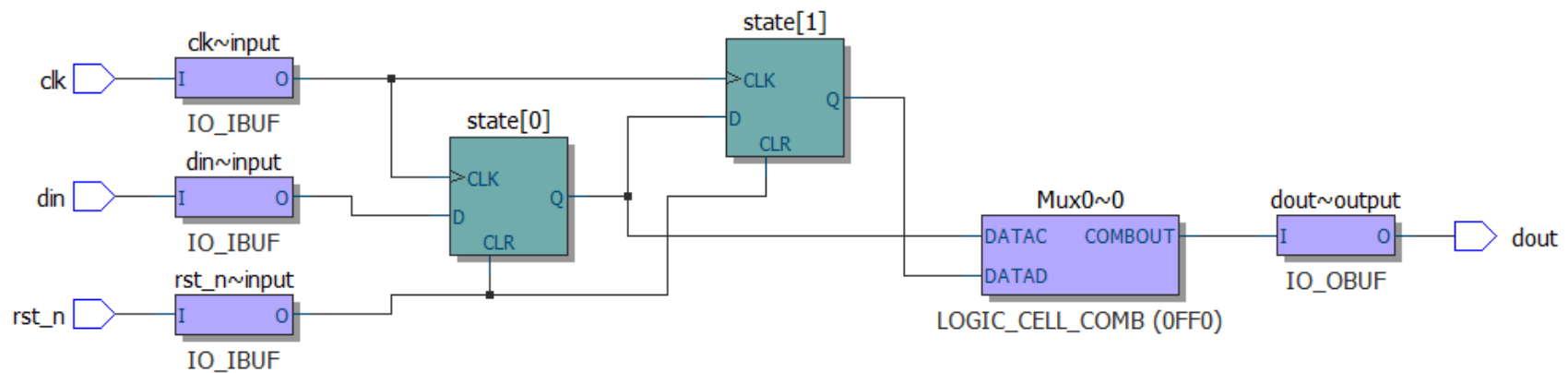
Mealy style ASM



Mealy Implementation



Moore implementation



Moore with registered output

