

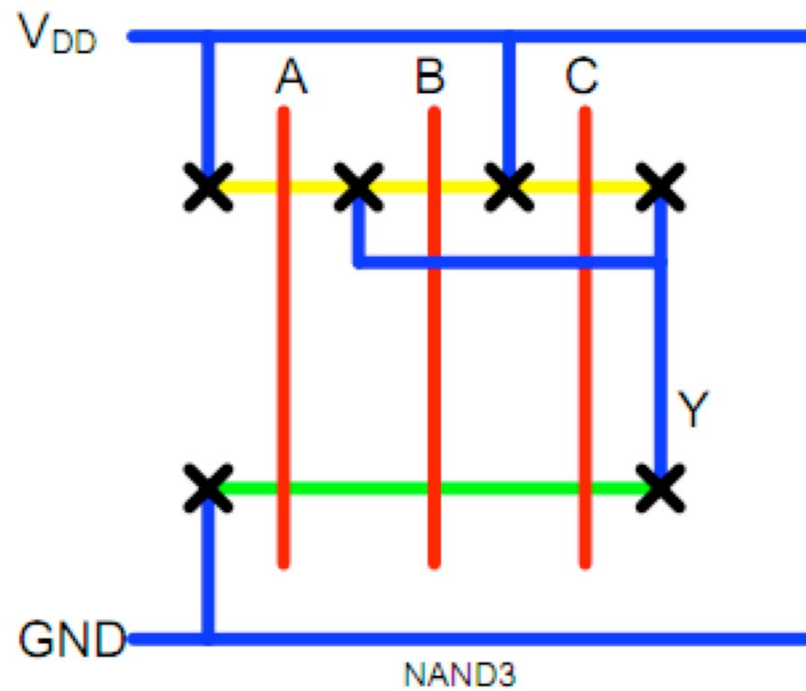
Stick Diagrams: examples

Stick diagrams help plan layout quickly

- Need not be to scale
- Draw with color pencils or dry-erase markers

Example: NAND3

- metal1
- poly
- ndiff
- pdiff
- ✕ contact

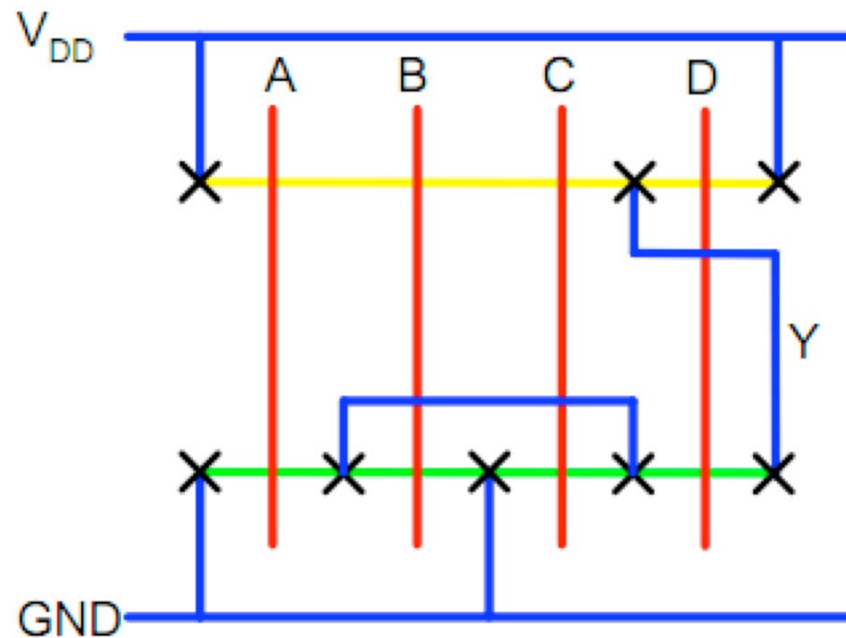


VxH = 40x32

Example: O3AI

- metal1
- poly
- ndiff
- pdiff
- contact

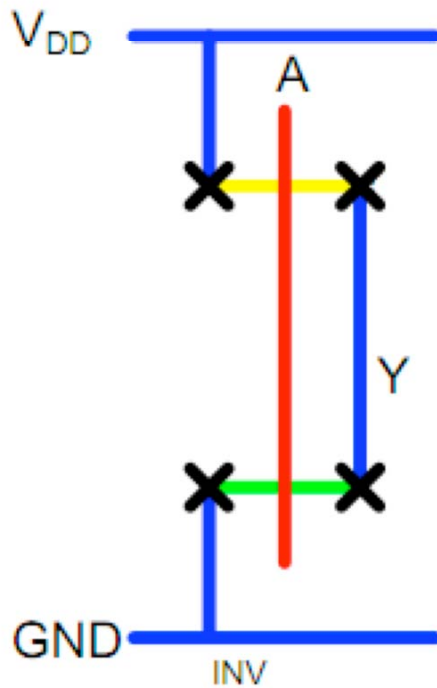
$$Y = \overline{(A + B + C)} \cdot D$$



VxH = 48x40

Example: INV

- metal1
- poly
- ndiff
- pdiff
- ✕ contact



Always pretend there is a track between the nMOS and the pMOS

$$V_{xH} = 40 \times 16$$

$$V_{xH} = 32 \times 16$$

Are you sure ??